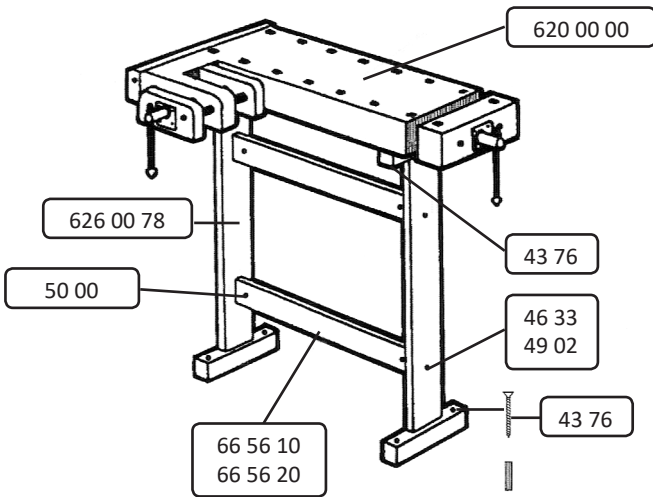




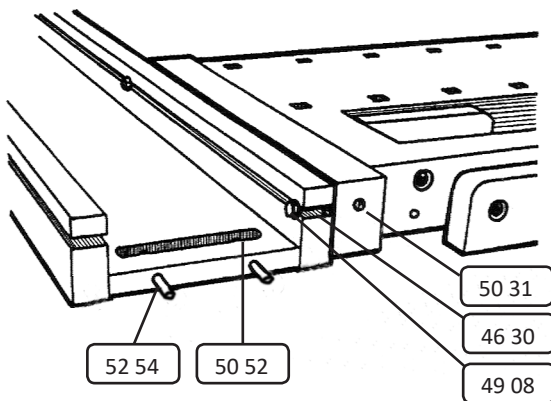
LERVAD
2026
Spare parts
technology bench

Parts for Lervad Group Technology Bench



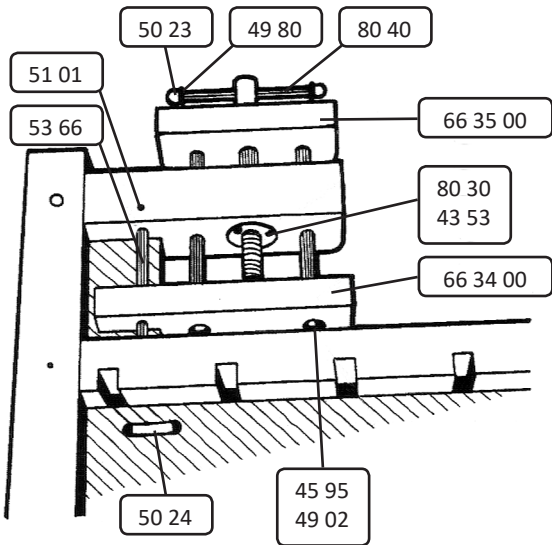
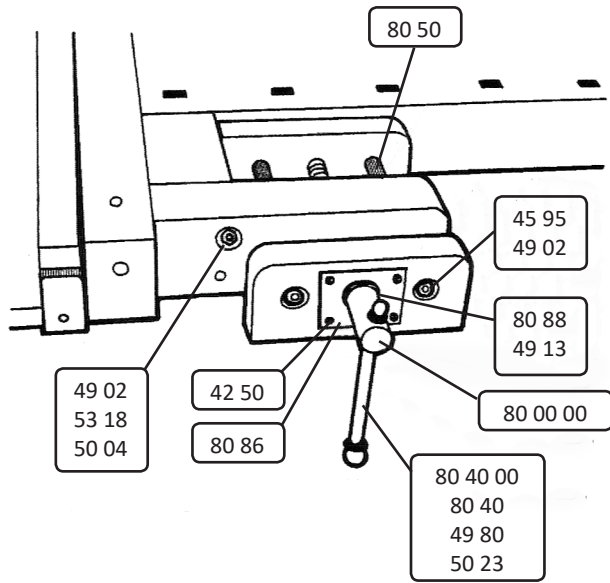
Item no.	Description	Excl. VAT
Bench Top incl. 4 steel bench dogs		
G6200000	bench top, 800 mm, right-handed	£ 625.00
G6200100	bench top, 800 mm, left-handed	£ 625.00
G6210000	bench top, 1320 mm, right-handed	£ 700.00
G6210100	bench top, 1320 mm, left-handed	£ 700.00
Leg and cross rail		
G6260078	leg/upright for height 78 cm	£ 90.00
G6260083	leg/upright for height 83 cm	£ 90.00
G0665610	cross rail, length 500 mm	£ 24.00
G0665620	cross rail, length 1020 mm	£ 32.00
For bench assembly		
G0004633	hexagon head bolt M8x70 mm	£ 0.60
G0004902	washer M8x20x2.0 mm	£ 0.25
G0005000	square nut M8	£ 0.35
G0004376	countersunk head wood screw 6.0x70 mm, Pozidrive	£ 0.35
For floor fixing		
G0004376	countersunk head wood screw 6.0x70 mm, Pozidrive	£ 0.50

Parts for assembly of tool well and bench



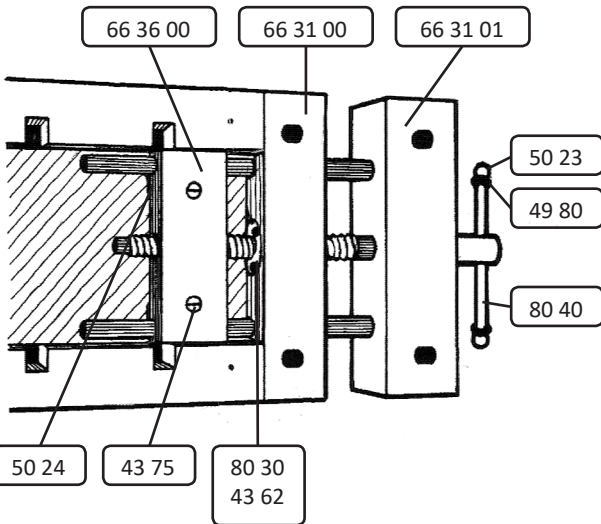
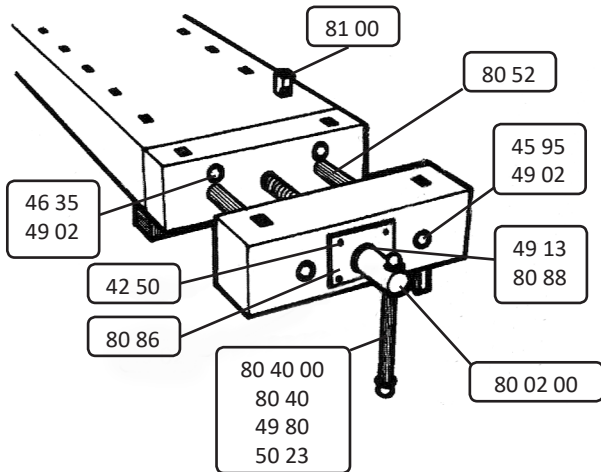
Item no.	Description	Excl. VAT
For assembly of tool well		
G0005254	threaded connector M6x85 mm	£ 0.70
G0005052	collar nut M6x10x20 mm	£ 0.25
For joining bench and tool well		
G0004630	hexagon head bolt M8x50 mm	£ 0.60
G0004908	washer M8x35x2.5 mm	£ 0.60
G0005031	slotted barrel nut M8x20x12 mm	£ 0.70

Parts for guided side vice



Item no.	Description	Excl. VAT
Side vice spindle and parts		
G0800000	spindle 265 mm, fitted with wearing ring, locking plate, circlip and tommy bar	£ 60.00
G0004913	wearing ring M20x37x3.0 mm	£ 3.00
G0008086	locking plate	£ 5.50
G0004250	round head wood screw 5.0x20 mm, Pozidrive	£ 0.25
G0008088	circlip 15x29.4x1.5 mm	£ 1.00
Tommy bar and parts		
G0804000	tommy bar M10x160 mm, fitted with 2 rubber washers and 2 dome nuts	£ 10.50
G0008040	plain tommy bar M10x160 mm	£ 8.00
G0004980	rubber washer	£ 0.45
G0005023	dome nut M10	£ 1.00
Guiding rod, stud bolt, fixed rod and parts		
G0008050	guiding rod 16x196 mm	£ 11.00
G0004595	hexagon head set screw M8x25 mm	£ 0.30
G0004902	washer M8x20x2.0 mm	£ 0.25
G0005318	side vice stud bolt M8x260 mm	£ 6.50
G0005004	hexagon nut M8	£ 0.13
G0005024	flange nut M8	£ 0.35
G0005366	fixed guide rod M10x160 mm	£ 4.80
G0005101	square head nail 1.6x25 mm	£ 0.05
Wooden vice jaw, spindle nut and parts		
G0663400	side vice jaw, right-handed	£ 29.00
G0663410	side vice jaw, left-handed	£ 29.00
G0663500	side vice back piece	£ 26.00
G0008030	circular spindle nut M20x50x15 mm	£ 17.50
G0004353	countersunk head wood screw 4.5x30 mm, Pozidrive	£ 0.17

Parts for guided end vice



Item no.	Description	Excl. VAT
End vice spindle and parts		
G0800200	end vice spindle 365 mm, fitted with wearing ring, locking plate, circlip and tommy bar	£ 65.00
G0004913	wearing ring M20x37x3.0 mm	£ 3.00
G0008086	locking plate	£ 5.50
G0004250	round head wood screw 5.0x20 mm, Pozidrive	£ 0.25
G0008088	circlip 15x29.4x1.5 mm	£ 1.00
Tommy bar and parts		
G0804000	tommy bar M10x160 mm, fitted with 2 rubber washers and 2 dome nuts	£ 10.50
G0008040	plain tommy bar M10x160 mm	£ 8.00
G0004980	rubber washer	£ 0.45
G0005023	dome nut M10	£ 1.00
Fixed end vice block and parts		
G0663100	fixed end vice block	£ 45.00
G0004636	hexagon head bolt M8x100 mm	£ 0.80
G0004902	washer M8x20x2.0 mm	£ 0.25
G0005024	flange nut M8	£ 0.35
G0008030	circular spindle nut M20x50x15 mm	£ 17.50
G0004353	countersunk head wood screw 4.5x30 mm, Pozidrive	£ 0.17
Movable end vice block and parts		
G0663101	movable end vice block	£ 55.00
G0008052	guiding rod 16x310 mm	£ 17.00
G0004595	hexagon head set screw M8x25 mm	£ 0.30
G0004902	washer M8x20x2.0 mm	£ 0.25
End vice bridge and parts		
G0663600	end vice bridge	£ 18.00
G0004374	countersunk head wood screw 6.0x50 mm, Pozidrive	£ 0.30
End vice replacement kit and bench dog		
G0663105	end vice replacement kit without hardware, incl. fixed end vice block, movable end vice block and end vice bridge	£ 90.00
G0663106	end vice replacement kit with hardware, incl. fixed end vice block with spindle nut, movable end vice block with spindle, tommy bar, guiding rods and end vice bridge with screws	£ 180.00
G0008100	steel bench dog 127x23x12 mm	£ 17.00

Prices and delivery

Prices

All prices are exclusive of VAT.

Delivery is free to all UK mainland addresses for orders with a value above £ 3,000 excl. VAT.

For orders with a value below £ 3,000 excl. VAT a handling and delivery charge applies as follows:

Up to £	500:	£	90
Up to £	1,000:	£	140
Up to £	2,000:	£	250
Up to £	3,000:	£	300

Price validity

Our listed prices are without obligation. For actual valid prices please check our website or call our office.

Time of delivery

The time of delivery will be informed on receipt of order. Normally delivery takes place within 3-5 weeks from receipt of formal order.

Packing and delivery

Deliveries are made by trucks with tail lift.

All packing materials are included in the prices, however, assembly and placing in the rooms are not included.

Payment

Unless otherwise agreed terms of payment are net within 15 days from date of invoice.

For further details please refer to our General Sales and Delivery Terms at lervad.com.



LERVAD

Lervad (U.K.) Ltd.

823 Salisbury House, 29 Finsbury Circus
London EC2M 5QQ

Tel: +44 (0)203 808 6965 - mail@lervad.com
www.lervad.com

Reseller: